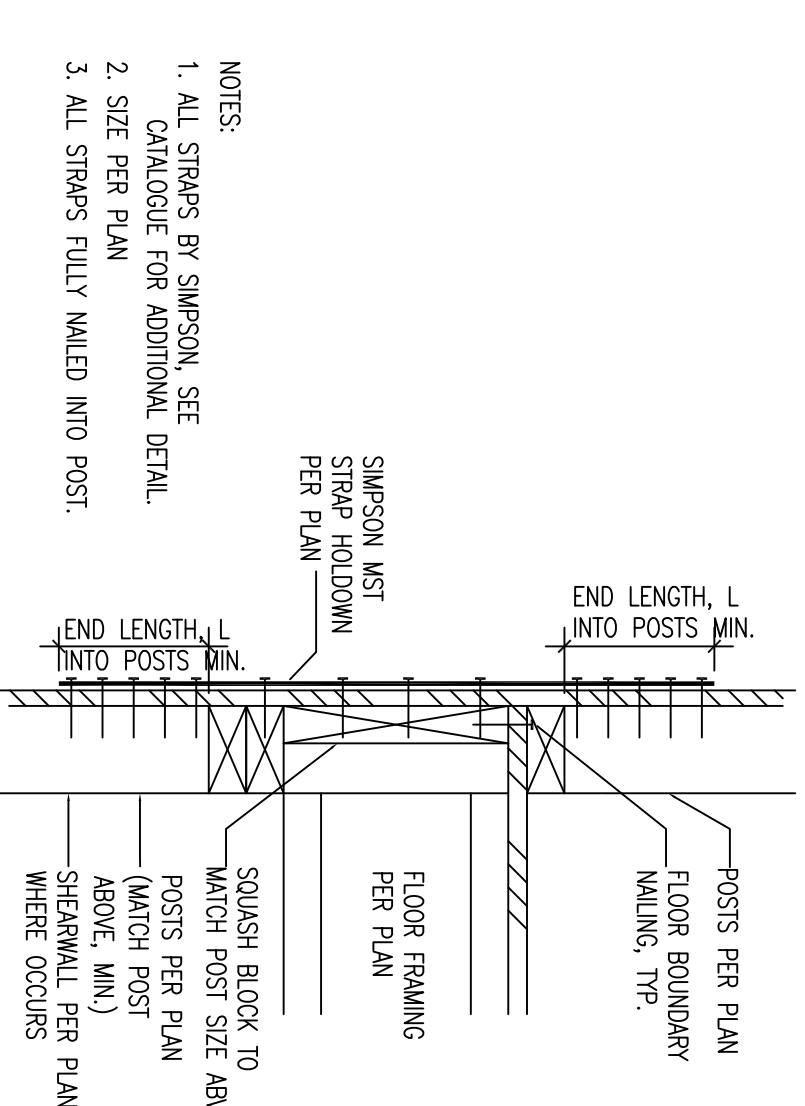
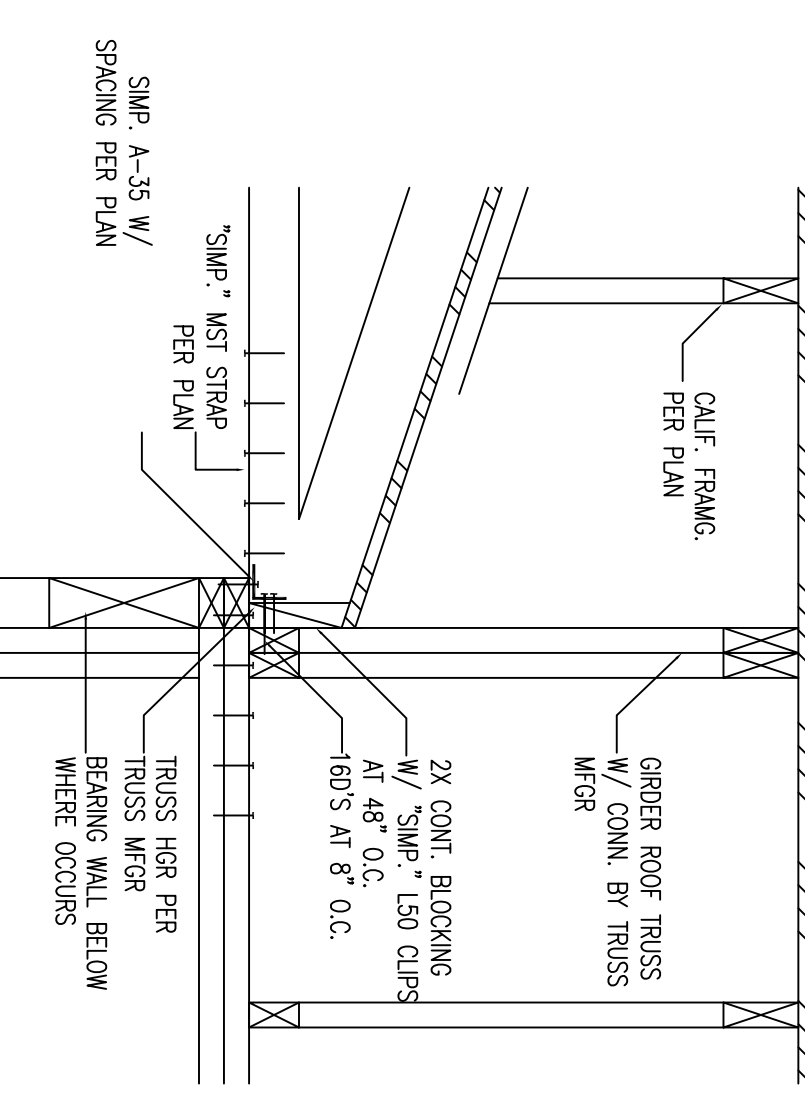


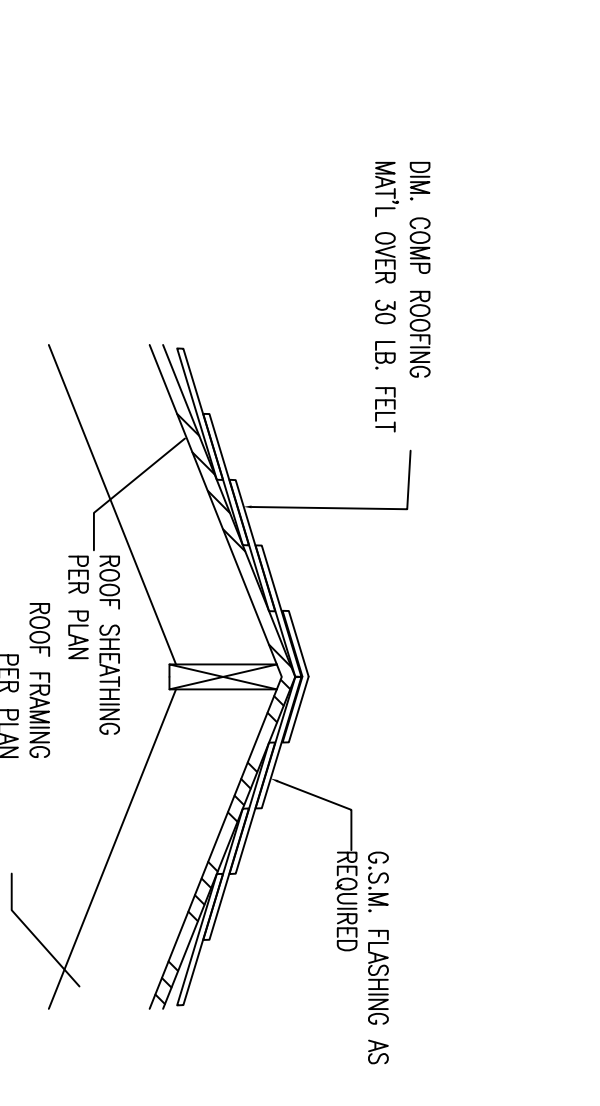
12 BEAM TO BEAM CONNECTION



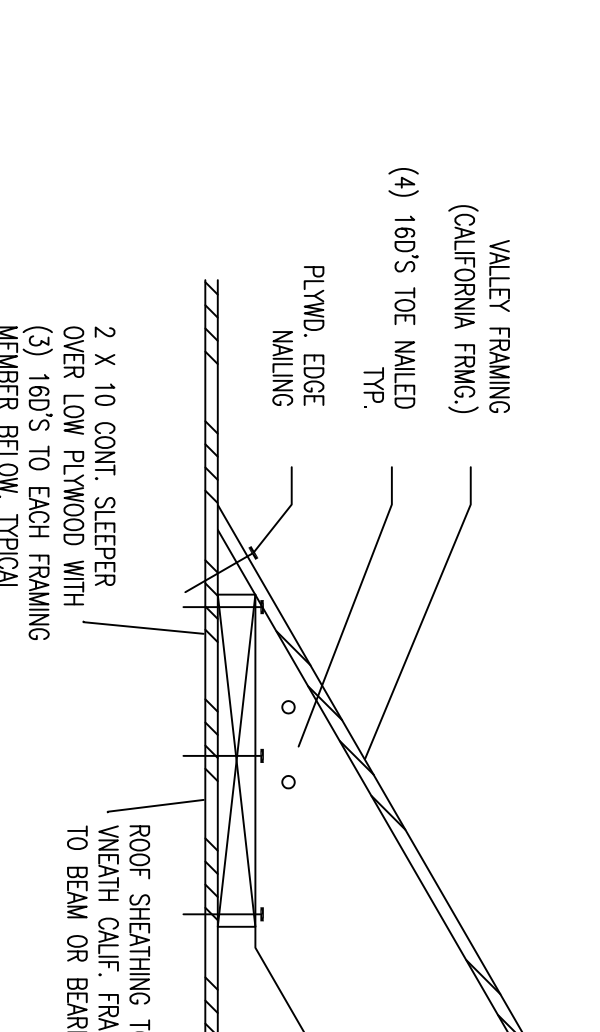
8 MST HOLDOWN TO BELOW



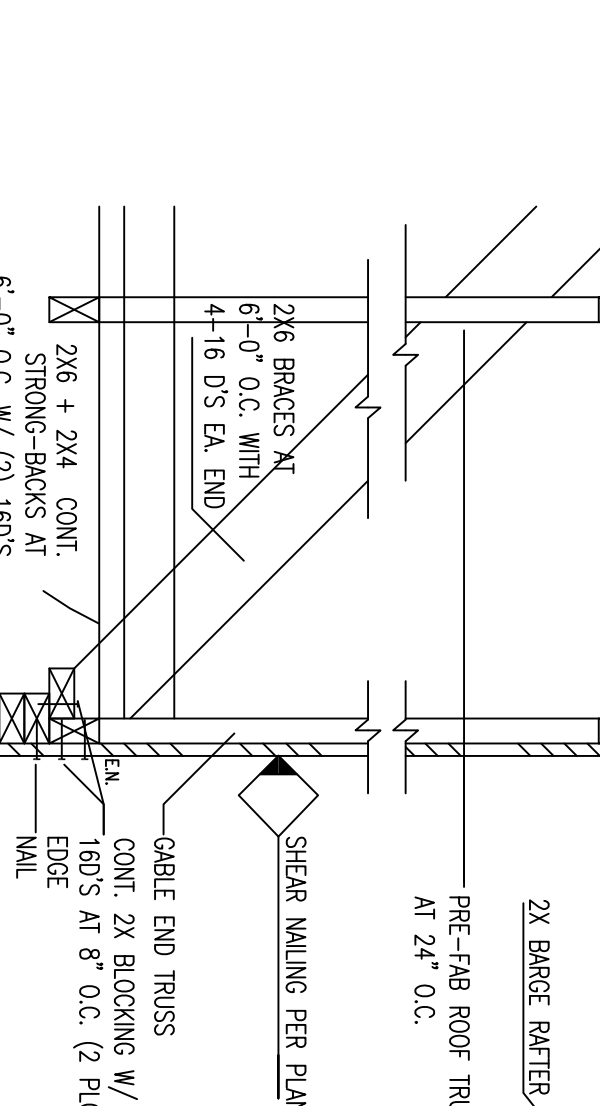
4 TRUSS TO TRUSS CONN.



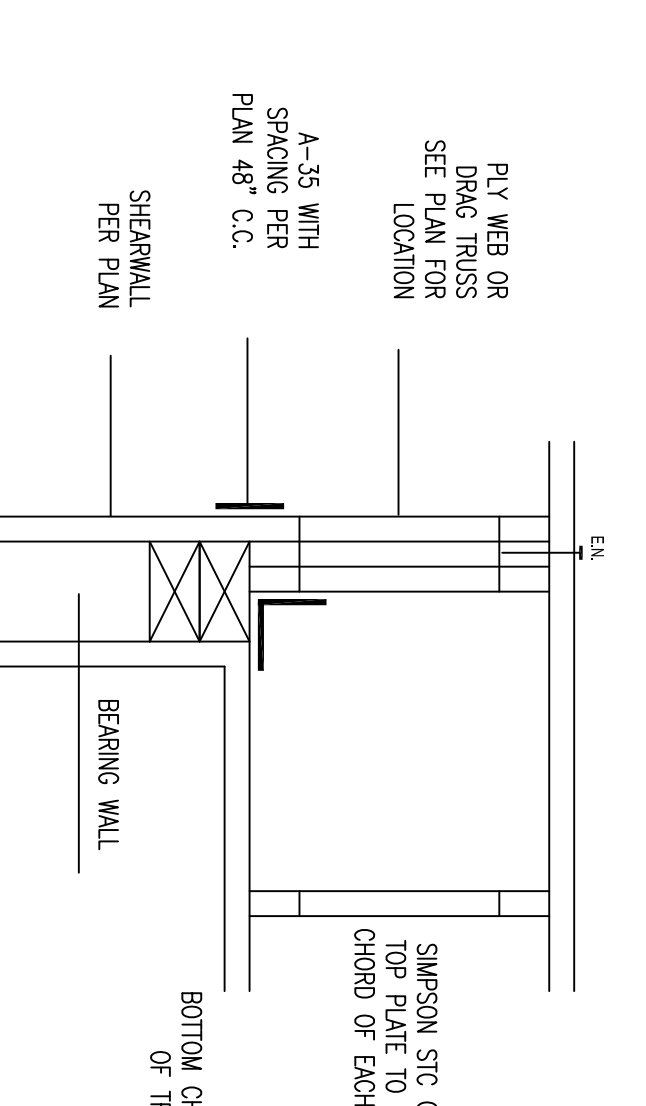
11 ROOFING DETAIL



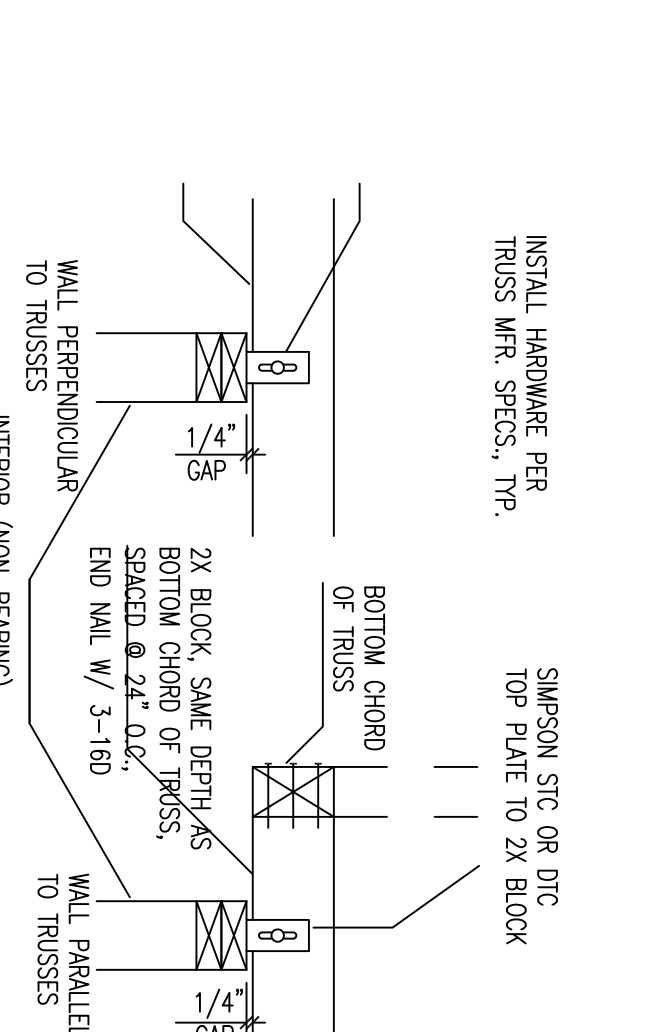
7 CALIF. VALLEY FRAMING



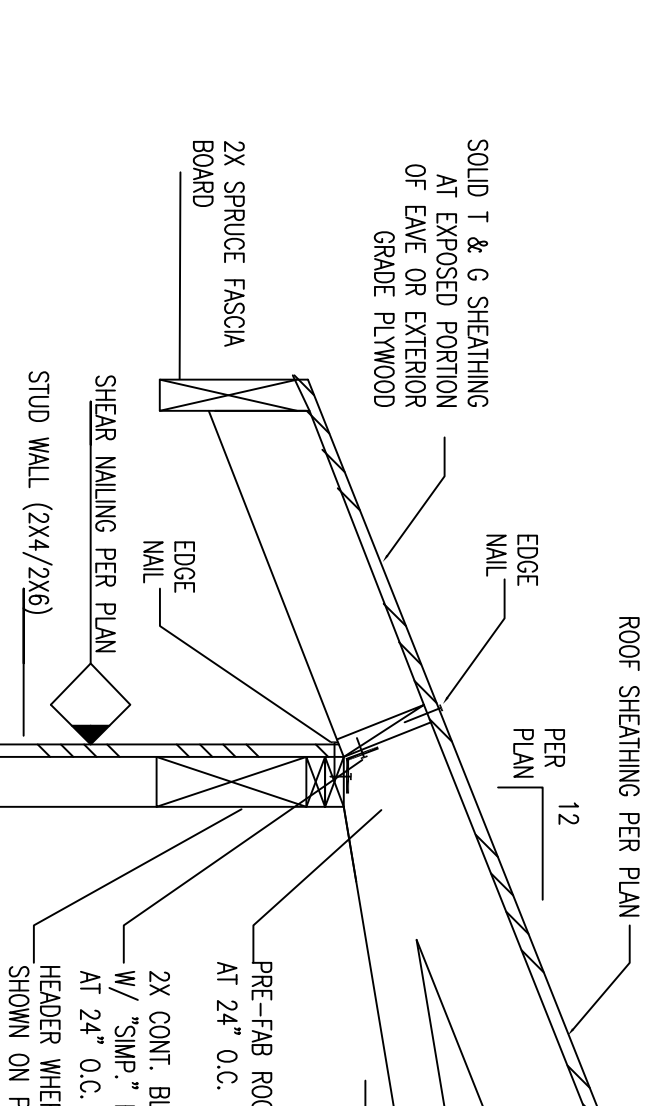
3 ROOF TRUSS DETAIL



10 BEARING WALL PARALLEL TO TRUSSES



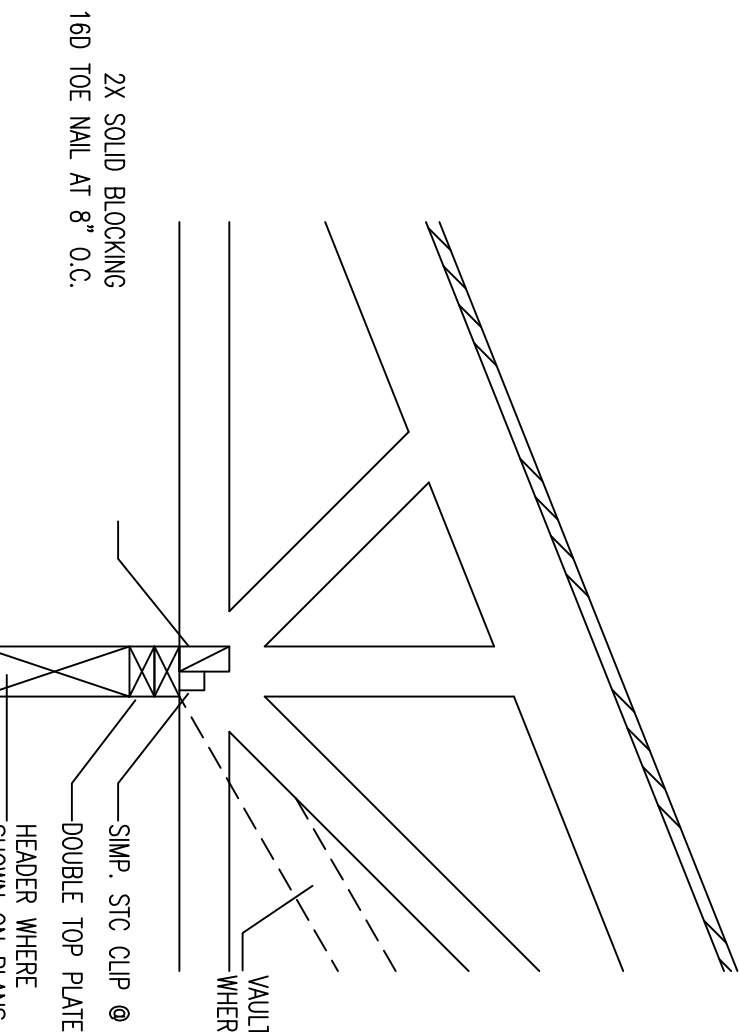
6 TYP. INTERIOR WALL TO TRUSSES



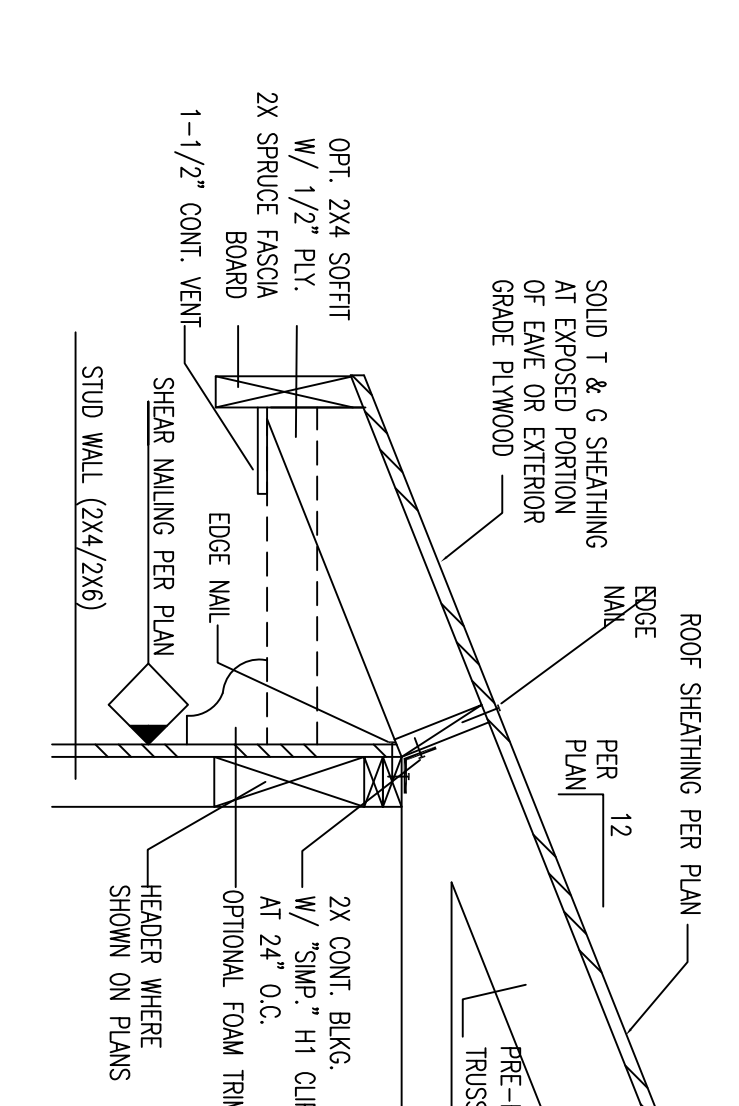
2 ROOF TRUSS DETAIL



9 BEARING WALL



5 BEARING WALL



1 ROOF TRUSS DETAIL